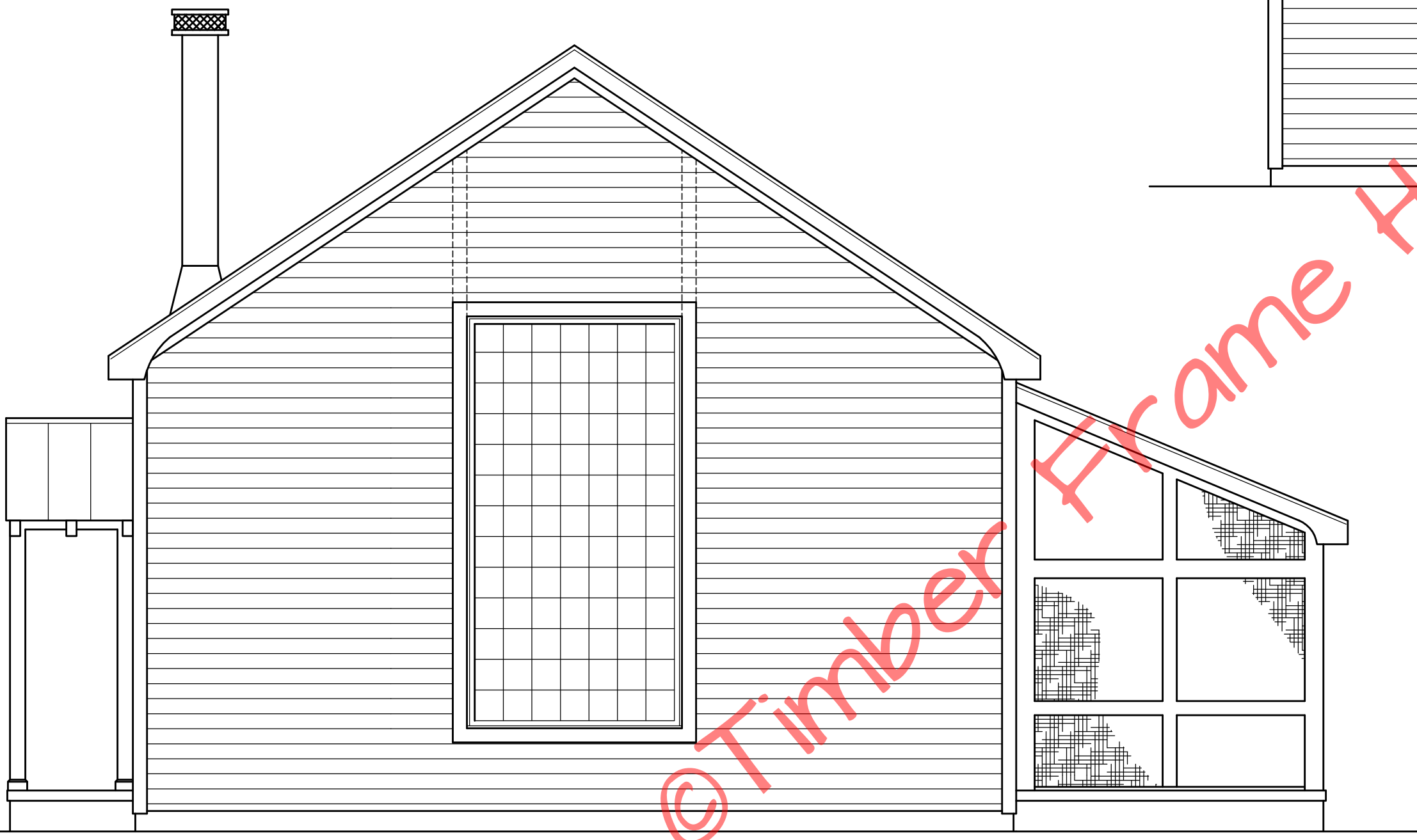


Marion

Marion



Right Elevation



Front Elevation

© Timber Frame Homes, Inc. 2008

REVISIONS			
NO.	DATE	REMARKS	BY

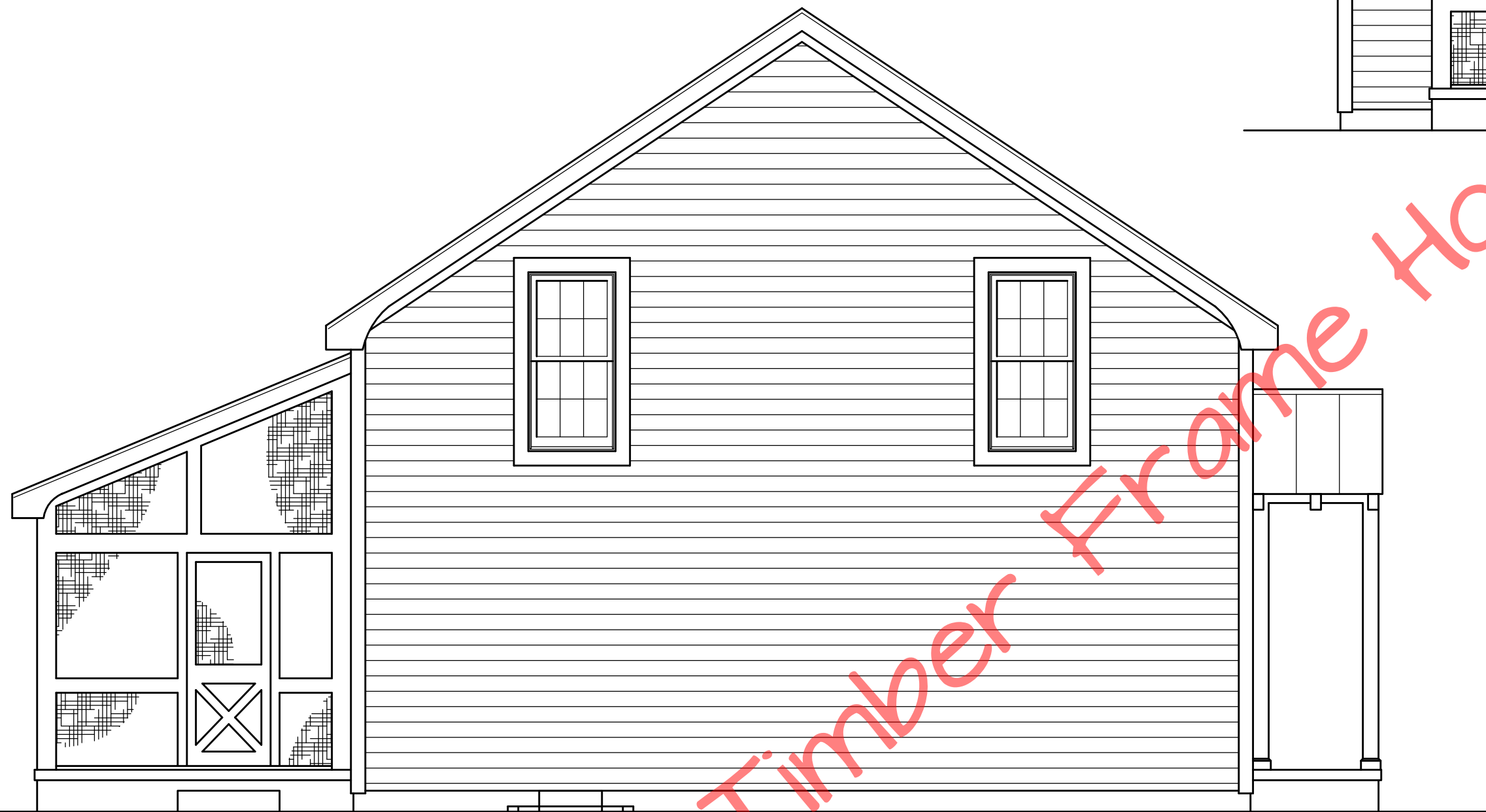
Copyright 2008 by Timber Frame Homes, Inc.
 All federal, state, and local codes, ordinance, regulations etc. shall be considered as part of specifications for this building and shall take precedence over anything shown, described, or implied where same are at variance. All dimensions and conditions shall be verified on site by builder.

Marion			
Elevations			
SCALE:	Noted	FILE NO.:	
DATE:	3-27-02	DRAWN BY:	MAW
		SHEET NUMBER:	/

MAW



Rear Elevation



Left Elevation

© Timber Frame Homes, Inc. 2008

Crawl Space Access

Marion

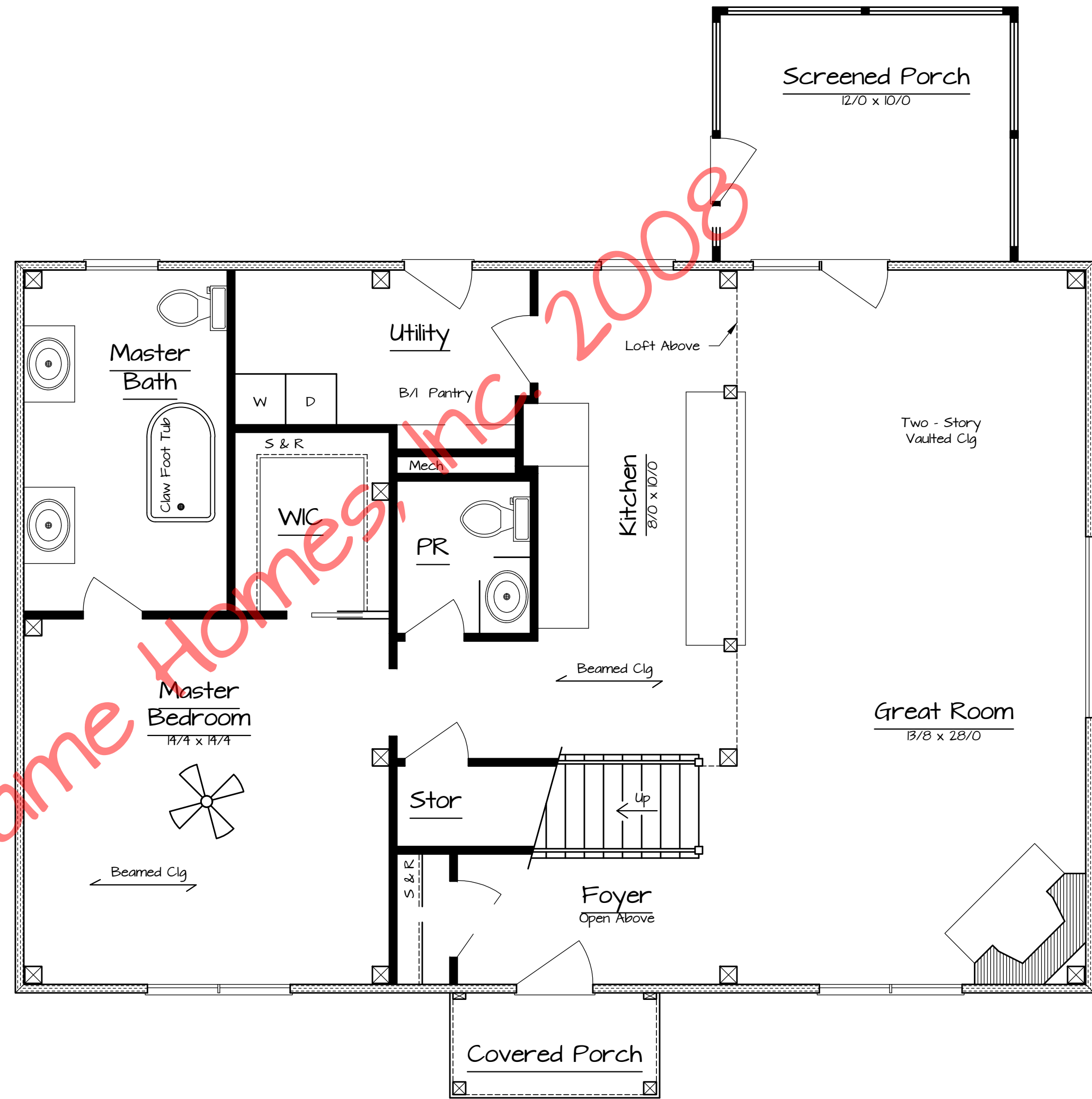
Marion

REVISIONS			
NO.	DATE	REMARKS	BY

Copyright 2008 by Timber Frame Homes, Inc.
 All federal, state, and local codes, ordinance, regulations etc. shall be considered as part of specifications for this building and shall take precedence over anything shown, described, or implied where same are at variance. All dimensions and conditions shall be verified on site by builder.

Marion			
Elevations			
SCALE:	Noted	FILE NO.:	
DATE:	3-27-02	DRAWN BY:	MAW
		SHEET NUMBER:	1A

Marion



© Timber Frame Homes, Inc. 2008

First Floor Plan

1,220 SF Living Area

Marion

Marion

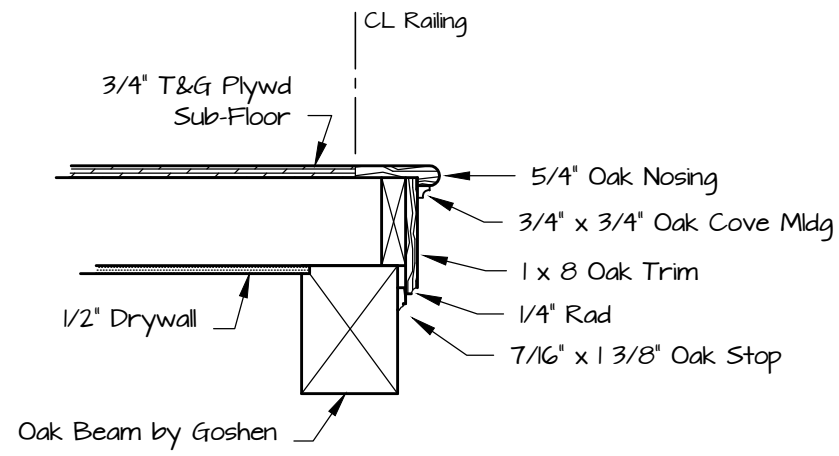
REVISIONS			
NO.	DATE	REMARKS	BY

Copyright 2008 by Timber Frame Homes, Inc.

All federal, state, and local codes, ordinance, regulations etc. shall be considered as part of specifications for this building and shall take precedence over anything shown, described, or implied where same are at variance. All dimensions and conditions shall be verified on site by builder.

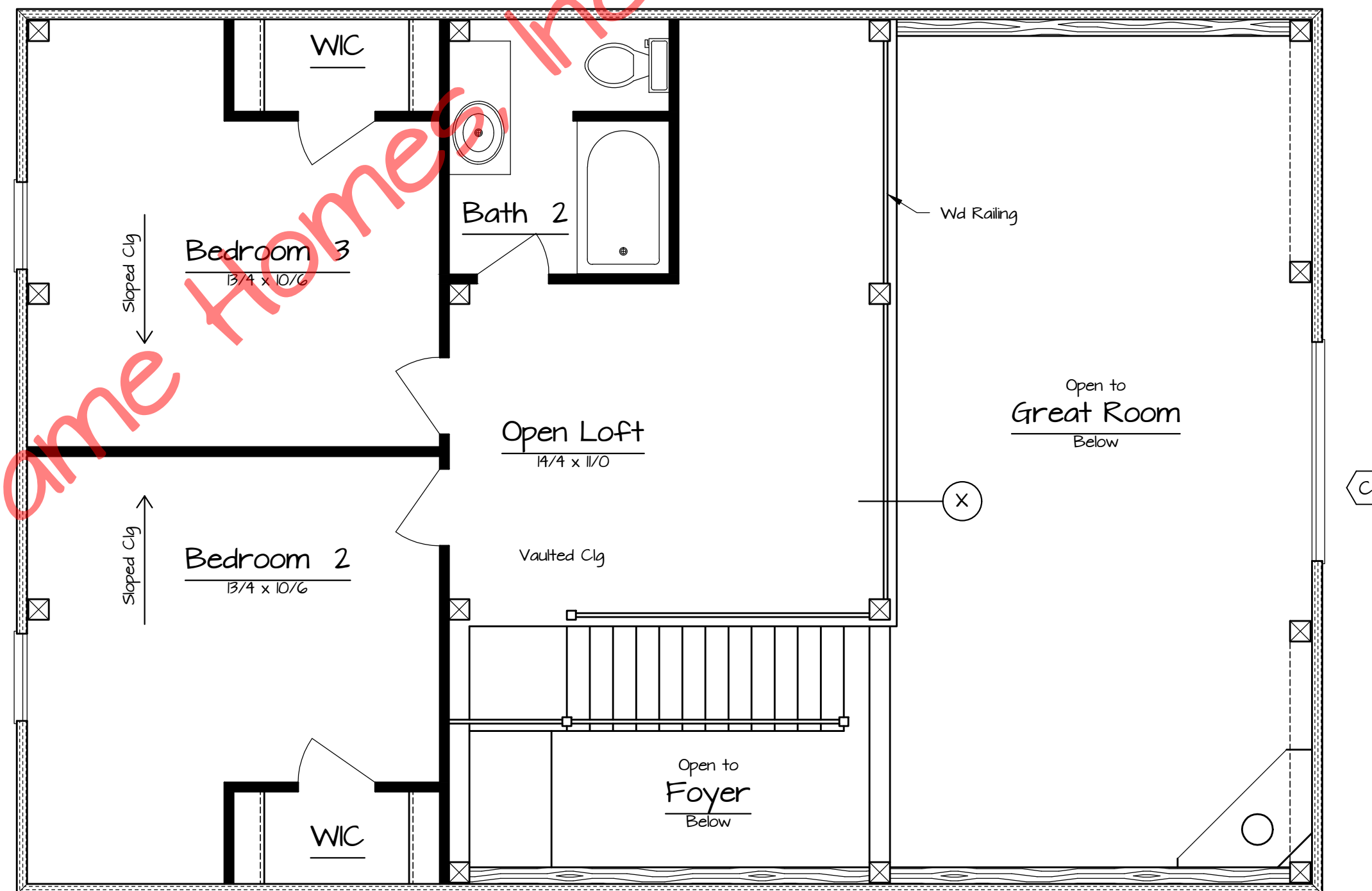
Marion
Floor Plan

SCALE:	Noted	FILE NO.:	
DATE:	3-27-02	DRAWN BY:	MAW
		SHEET NUMBER:	2



Detail X
Scale: 1" = 1'-0"

	Rough Opening	Qty.	Location
A	5'-7 3/8" x 5'-5"	2	MBdrm/G.R.
B	2'-10" x 5'-5"	4	MBath/Kit/Bdrm2/Bdrm3
C	See Detail Below	1	G.R.
D	3/0 x 6/8 Ext. Door	1	Foyer
E	2/8 x 6/8 Ext. Door	1	Utility
F	5'-3 1/2" x 6'-8 3/4"	1	G.R.
	Inswing French Door		



Second Floor Plan
687 SF Living Area

© Timber Frame Homes, Inc. 2008

Marion

Marion

REVISIONS			
NO.	DATE	REMARKS	BY

Copyright 2008 by Timber Frame Homes, Inc.
All federal, state, and local codes, ordinance, regulations etc. shall be considered as part of specifications for this building and shall take precedence over anything shown, described, or implied where same are at variance. All dimensions and conditions shall be verified on site by builder.

Marion			
Floor Plan			
SCALE:	Noted	FILE NO.:	
DATE:	3-27-02	DRAWN BY:	MAW
		SHEET NUMBER:	2A